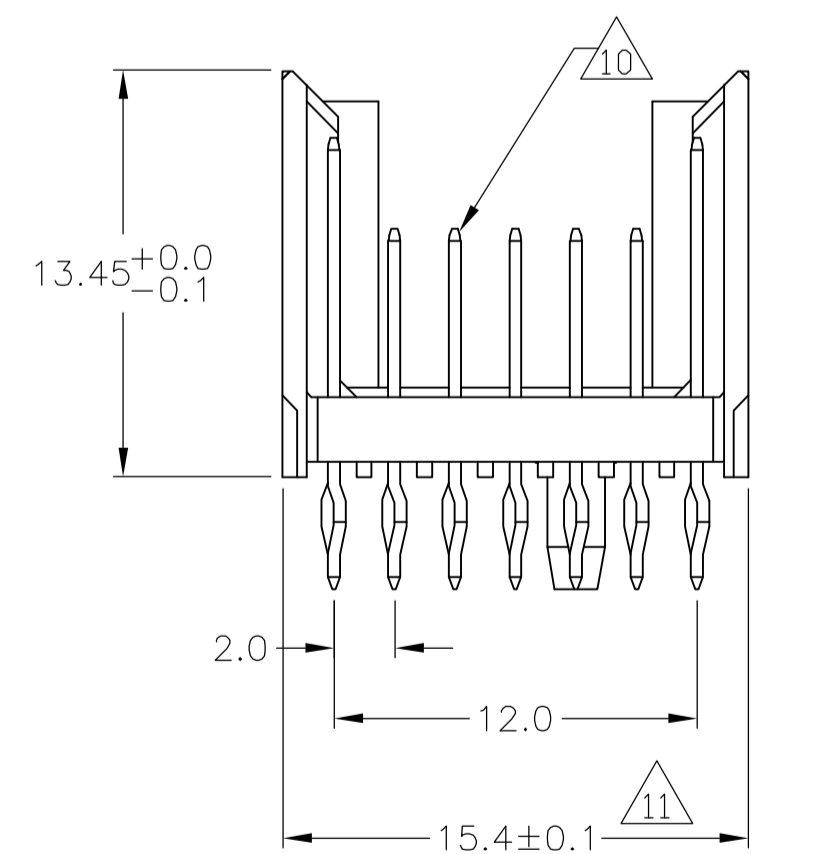
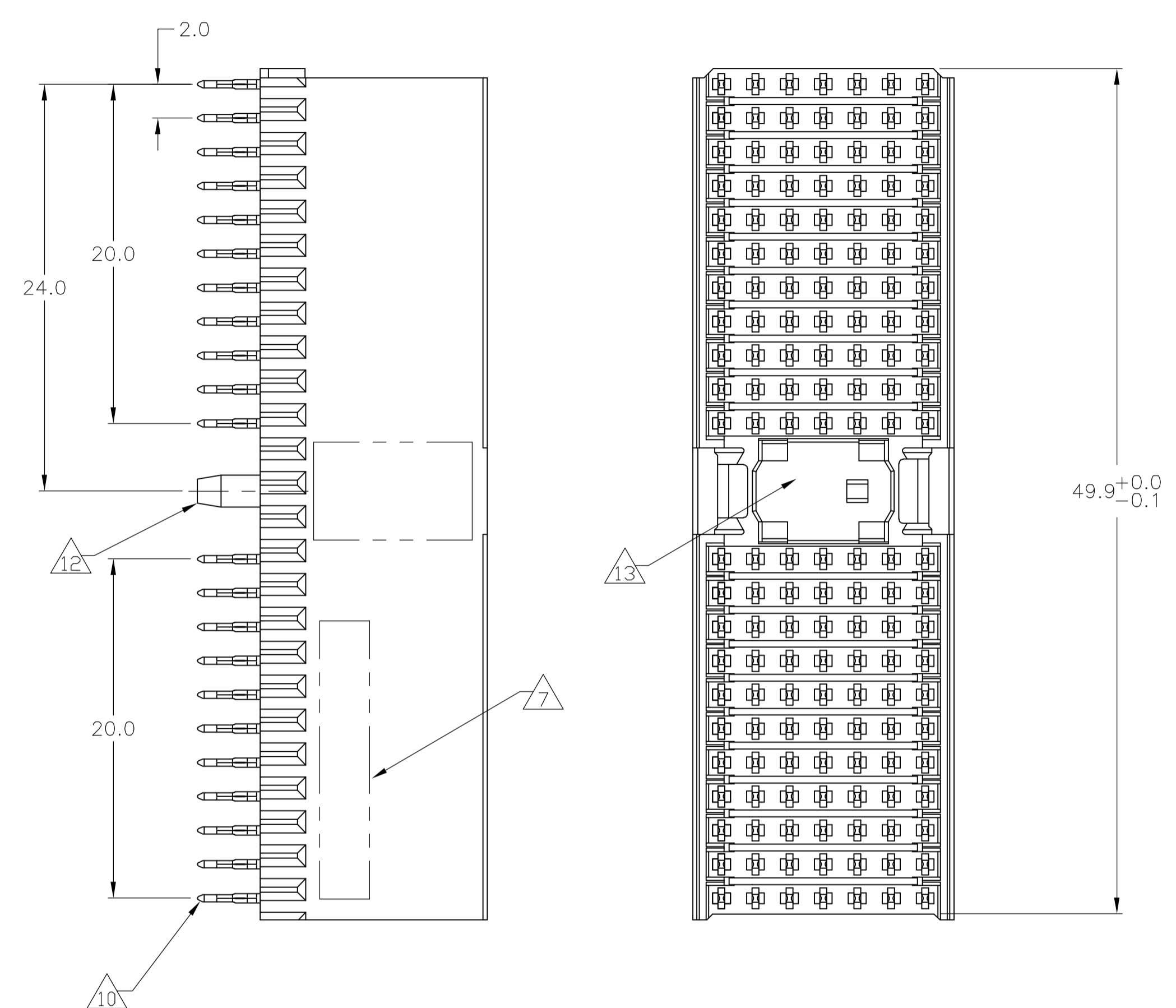
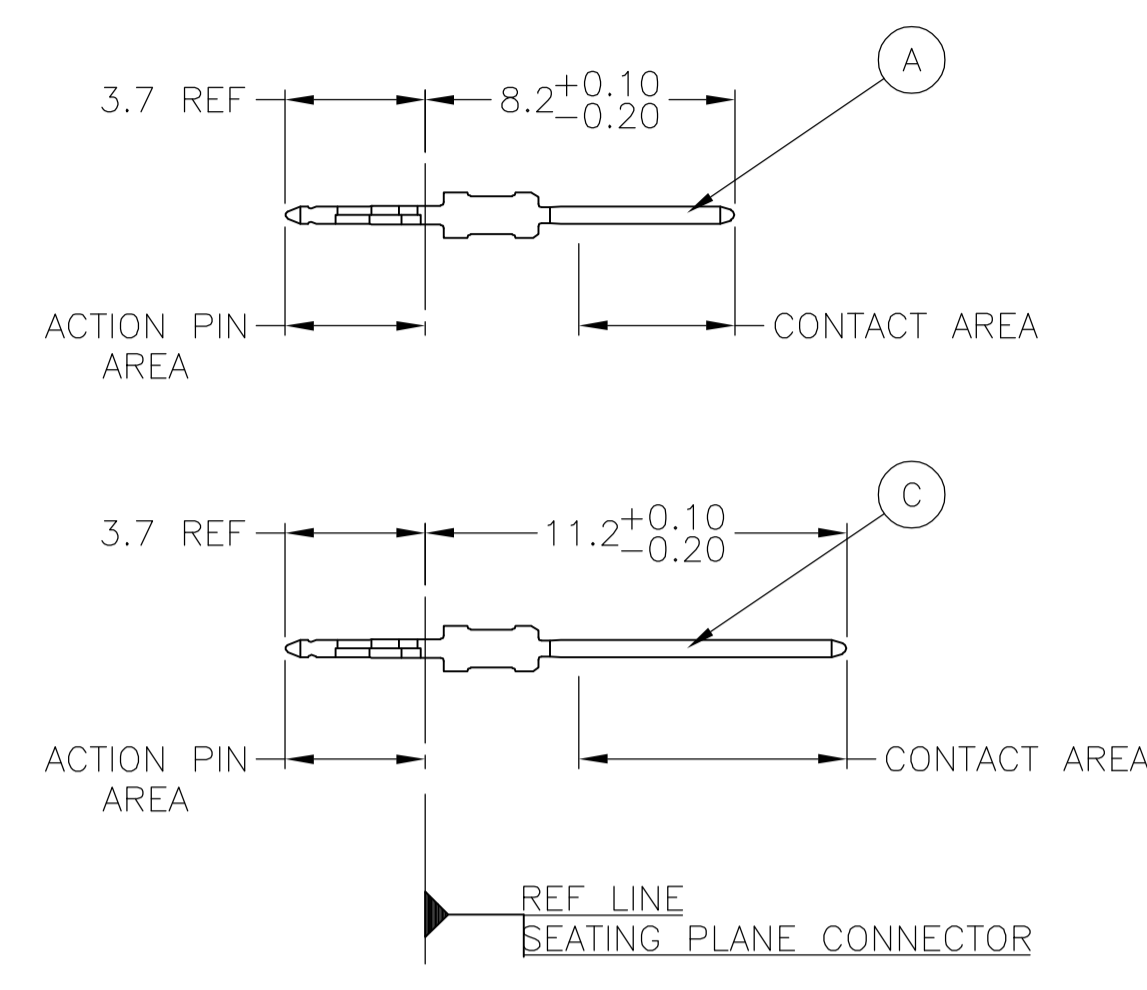


CONNECTOR ASSEMBLY EXAMPLARY LOADED



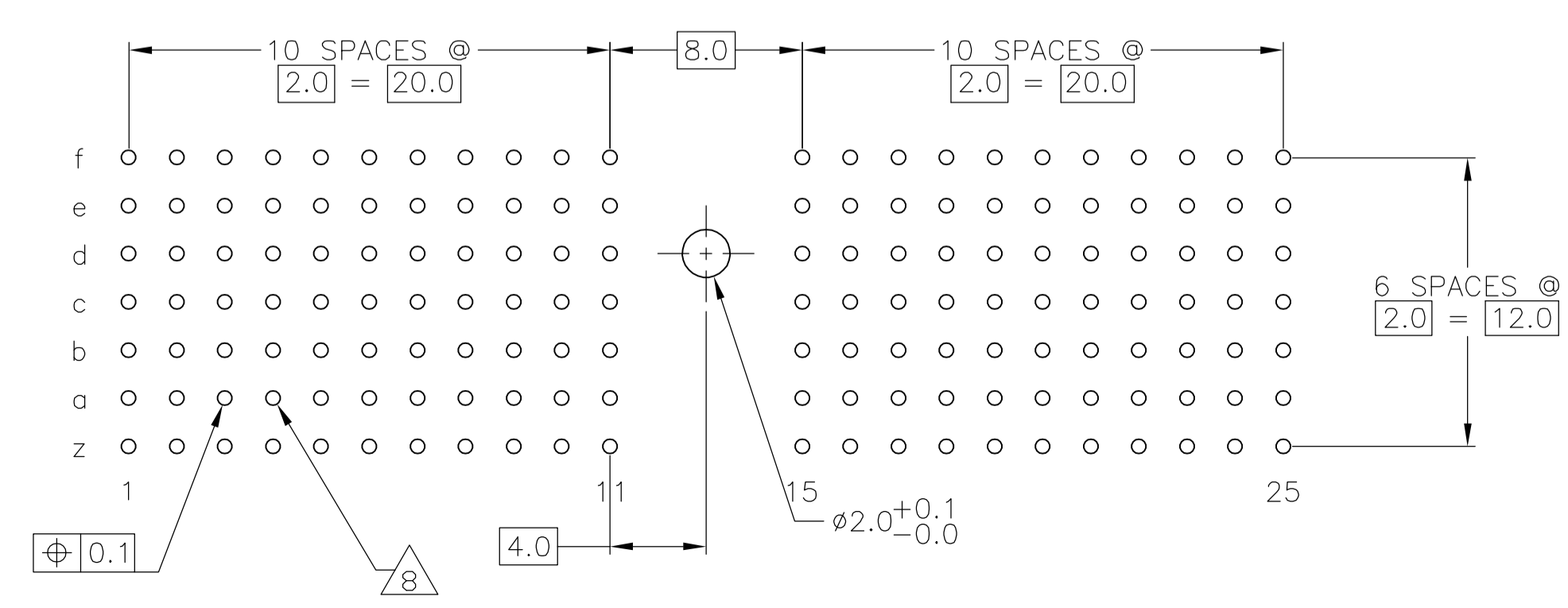
CONTACT DIMENSIONS SCALE 5:1



CONTACT LAYOUT

| | | | | | | | |
|----------------------|---|---|---|---|---|---|---|
| | z | a | b | c | d | e | f |
| 1 | C | A | A | A | A | A | C |
| 2 | C | A | A | A | A | A | C |
| 3 | C | A | A | A | A | A | C |
| 4 | C | A | A | A | A | A | C |
| 5 | C | A | A | A | A | A | C |
| 6 | C | A | A | A | A | A | C |
| 7 | C | A | A | A | A | A | C |
| 8 | C | A | A | A | A | A | C |
| 9 | C | A | A | A | A | A | C |
| 10 | C | A | A | A | A | A | C |
| 11 | C | A | A | A | A | A | C |
| MULTI PURPOSE CENTER | | | | | | | |
| 15 | C | A | A | A | A | A | C |
| 16 | C | A | A | A | A | A | C |
| 17 | C | A | A | A | A | A | C |
| 18 | C | A | A | A | A | A | C |
| 19 | C | A | A | A | A | A | C |
| 20 | C | A | A | A | A | A | C |
| 21 | C | A | A | A | A | A | C |
| 22 | C | A | A | A | A | A | C |
| 23 | C | A | A | A | A | A | C |
| 24 | C | A | A | A | A | A | C |
| 25 | C | A | A | A | A | A | C |

RECOMMENDED PCB-HOLE LAYOUT COMPONENT SIDE SHOWN



PLATED THRU HOLES PARAMETERS REFERENCE APPLICATION SPECIFICATION

| | | | |
|--------|---|----|-------------|
| 2 | 6 | 14 | 1-100668-9 |
| 2 | 5 | 14 | 100668-9 |
| 2 | 4 | 14 | 100668-4 |
| 2 | 3 | 14 | 100668-1 |
| FINISH | | | PART NUMBER |

THIS DRAWING IS A CONTROLLED DOCUMENT. DWN: PETER DEVOS, 20NOV01, CHK: -

tyco Electronics Tyco Electronics Corporation, Harrisburg, Pa 17105-3608

PRODUCT SPEC: 108-19082, APPLICATION SPEC: 114-19029, SIZE: A1, CAGE CODE: 00779, DRAWING NO: 100668, RESTRICTED TO: -

MATERIAL: 1, FINISH: SEE TABLE, WEIGHT: -, CUSTOMER DRAWING, SCALE: 4:1, SHEET: 1 of 2, REV: P

- 1 MATERIAL:
CONTACT: PHOSPHOR BRONZE.
HOUSING: GLASS-FILLED POLYESTER.
- 2 GENERAL PLATING SPECIFICATION: UNDERPLATING
(ENTIRE CONTACT): 1.27µm MIN NICKEL AND ACTION
PIN: 0.5µm MIN TIN LEAD.
FOR PLATING OF MATING SURFACES SEE APPLICABLE
SPECIFICATION REFERENCE FOR EACH DASH NUMBER.
- 3 CONFORMS TO ALL TESTING ACCORDING TO IEC 61076-4-101
PERFORMANCE LEVEL 2.
- 4 CONFORMS TO ALL TESTING ACCORDING TO IEC 61076-4-101
PERFORMANCE LEVEL 1.
- 5 CONNECTOR TESTED AND QUALIFIED AGAINST TELCORDIA GR-1217-CORE QUALITY LEVEL 3,
CENTRAL OFFICE APPLICATIONS.
- 6 CONNECTOR TESTED AND QUALIFIED AGAINST TELCORDIA GR-1217-CORE QUALITY LEVEL 3,
UNCONTROLLED ENVIROMENT APPLICATIONS.
- 7 CONNECTOR MARKED WITH PART NUMBER AND DATE CODE.
ADDITIONAL CHARACTERS OR MARKINGS, AS WELL AS THE LOCATION OF THE MARKINGS,
MAY BE ADDED FOR TRACEABILITY BASED UPON MANUFACTURERS DISCRETION.
- 8 PLATED-THROUGH HOLES AT 2x2mm SQUARE GRID
PATTERN DEFINED BY CONTACT LAYOUT.
- 9 FOR ACTUAL PIN LOADING SEE "CONTACT LAYOUT".
- 10 FOR ACTUAL PIN DIMENSIONS SEE "CONTACT DIMENSIONS".
- 11 TO BE MEASURED AT BOTTOM OF SHROUD.
- 12 POLARIZATION FEATURE.
- 13 AREA RESERVED FOR KEYING PART (BASIC P/N 100525).
- 14 CONNECTOR LUBRICATED WITH BELCORE APPROVED LUBRICANT,
TECHNICAL REFERENCE: TR-NWT-001217 ISSUE 1, SEP 1992.
- 15 OBSOLETE PART NUMBER.

| | | | | | | | |
|--|--|--|-------------|----------------------------|------|---|------------|
| THIS DRAWING IS A CONTROLLED DOCUMENT. | | DWN PETER DEVOS | 20NOV01 | tyco Electronics | | Tyco Electronics Corporation Harrisburg, Pa 17105-3608 | |
| DIMENSIONS: mm | | TOLERANCES UNLESS OTHERWISE SPECIFIED: | | NAME | | MALE ASSEMBLY, Z-PACK 2mm HM, TYPE A | |
| | | 0 PLC ± - | 1 PLC ± 0.1 | PRODUCT SPEC | | 108-19082 | |
| | | 2 PLC ± - | 3 PLC ± - | APPLICATION SPEC | | 114-19029 | |
| MATERIAL SEE SHEET 1 | | FINISH SEE SHEET 1 | | WEIGHT | SIZE | CAGE CODE | DRAWING NO |
| | | | | | A1 | 00779 | 100668 |
| CUSTOMER DRAWING | | | | SCALE | 4:1 | SHEET | 2 OF 2 |
| | | | | REV | P | | |